

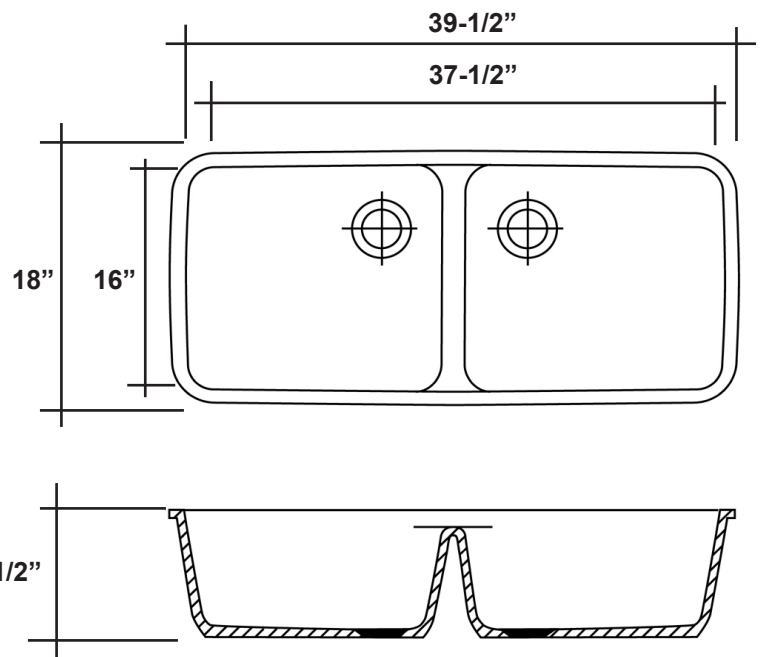
MERIDIAN UNDERMOUNT KITCHEN SINKS

150

Model # MKS150
Sink Weight 55 Lbs.



- Meridian sinks are suitable for undermount applications in a variety of residential and light commercial environments
- Each sink is made from a homogeneous blend of polyester and acrylic polymers engineered to bring together performance and style in every application
- Non-porous surface resists mold, mildew, and stains
- Includes a recessed self draining faucet deck molded into the sink
- Extra large double bowl is a larger version of the #100
- Fits into a 39" or larger sink base cabinet
- Approved by the Massachusetts Board of Examiners of 8-1/2" Plumbers and Gasfitters



Massillon, OH 44648
330-837-2216

www.TowerShowers.com

www.TowerSinks.com

**TOWER**
INDUSTRIES
www.TowerSurfaces.com